



# CLG325 Skid Steer Loader



<b>Engine</b>	Perkins
<b>Gross Power</b>	19.7 kW ( 26.4 hp ) @ 3,000 rpm
<b>Net Power</b>	18.6 kW ( 23.8 hp ) @ 3,000 rpm
<b>Breakout Force</b>	13 kN
<b>Rate Load</b>	280 kg
<b>Bucket Capacity</b>	0.12 m <sup>3</sup>
<b>Operating Weight</b>	1,380 kg

# CLG325

## Skid Steer Loader



### ENGINE

Emission Regulation	Tier 3 / Stage IIIA
Make & Model	Perkins
Gross Power	19.7 kW ( 26.4 hp ) @ 3,000 rpm
Net Power	18.6 kW ( 23.8 hp ) @ 3,000 rpm
Peak Torque	91 N · m
Number of Cylinders	3
Displacement	1.12 L
Cooling Type	water

### ELECTRICAL SYSTEM

System Voltage	12 V
Alternator Output	55 amps

### CHAIN TANK

Drive Chain Size	60 HS
------------------	-------

### TIRES

Ply Type	pneumatic
Tire Size	23 X 8.5 - 12
Ply Rating	8

### HYDRAULIC SYSTEM

System Type	open
Standard Flow	40.1 L/min
Optional High Flow	51.9 L/min
Traveling Hydrostatic Pressure	20.7 MPa
Working Hydrostatic Pressure	21 MPa
Hydraulic Cycle Time, total	8.8 seconds
Raise	2.9 sec
Dump	2.7 sec
Lower ( empty, float down )	3.2 sec

### OPERATING WEIGHT

Operating Weight	1,380 kg
------------------	----------

### PERFORMANCE

Static Tipping Load	560 kg
Rated Load	280 kg
Boom Breakout Force	18 kN
Bucket Breakout Force	13 kN
Dump Clearance at Full Height Discharge	1,504 mm
Dump Reach at Full Height Discharge	588 mm
Maximum Dump Angle at Full Height	39.8°
Maximum Hinge Pin Height	1,954 mm
Bucket Rollback at Ground Level	29°
Ground Clearance	152 mm
Angle of Departure	28°
Front Clearance Radius	1,360 mm

### SERVICE CAPACITIES

Fuel Tank	49 L
Engine Oil	12 L
Cooling System	6 L
Hydraulic Reservoir	54 L
Hydraulic System Total	60 L
Chain Tanks, Each	4 L

### STANDARD EQUIPMENT

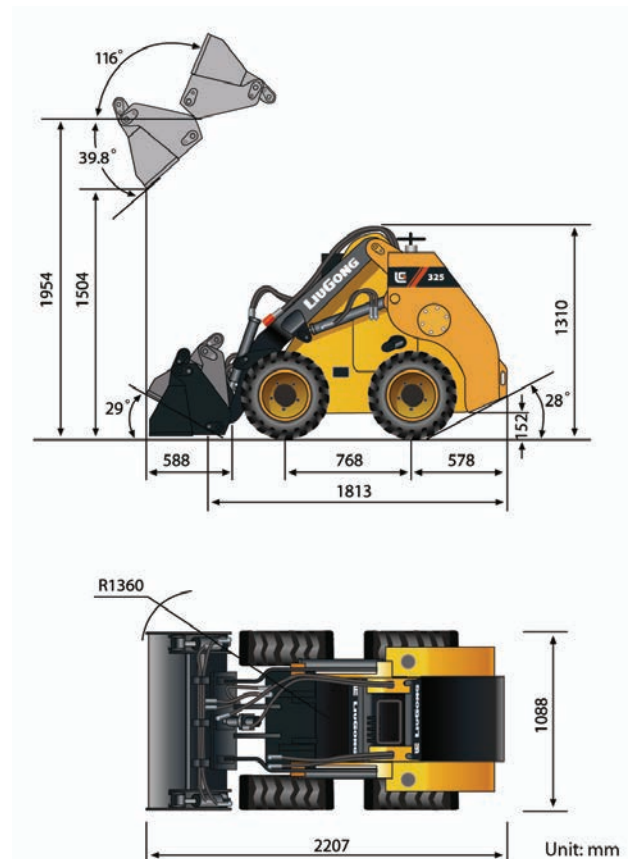
General Bucket - 0.12 m<sup>3</sup>  
 Control Safety Interlock  
 Boom Interlock  
 Quick Coupler  
 Auxiliary High Flow – 51.9 L/min

### OPTIONAL EQUIPMENT

Flow Standard – 40.1 L/min  
 Solid Tire  
 Tire Chains

### OPTIONAL ATTACHMENTS

4 in 1 Bucket – 0.12 m<sup>3</sup>  
 Hydraulic Hammer  
 Light Materials Bucket  
 Trencher  
 Auger



### Guangxi Liugong Machinery Co., Ltd.

No. 1 Liutai Road, Liuzhou, Guangxi 545007, PR China

T: +86 772 388 6124 E: overseas@liugong.com

[www.liugong.com](http://www.liugong.com)

Specifications and designs are subject to change without notice. Machines shown may include optional equipment.