

SD08YE (CE) HYDROSTATIC BULLDOZER

Engine Model: Cummins QSB3.3

Rated Power: 60kW

Operating Weight: 8.02t



SHANTUI
VALUE THAT WORKS

Model shown may include optional equipment



SD08YE (CE)



ENGINE

Model.....Cummins QSB3.3
 Type.....in-line, water cooled, 4-cycle, turbocharged, direct injection
 Number of cylinders – bore × stroke.....4-95×115
 Total power output.....60kW
 Rated speed.....2200rpm
 Top torque output/engine speed.....415/1600N.m/rpm
 Minimum fuel consumption.....≤227g/kW.h



Other performance parameters

Crawler gauge.....1, 450mm
 Ground length.....2, 185mm
 Minimum ground clearance.....315mm
 Ground pressure.....0.04MPa
 Maximum gradeability.....30°
 Lateral working capacity on slope.....20°
 Minimum turning radius (crawler path).....2900mm
 Operating weight:.....7, 650kg



TRAVEL SPEED

Gear	1st
Forward (km/h)	0-9.0
Reverse (km/h)	0-9.0



POWER TRANSMISSION SYSTEM

Shock absorber.....Spring absorption
 Transfer case.....Straight gear transfer case
 Number of drive gear teeth.....48
 Number of driven gear teeth.....58
 Universal joint.....Constant angular speed double crossing shaft
 Transmission.....Planetary gear drive
 Gearshift mode.....Hydraulic gearshift
 Number of gears.....Three forward gears and three reverse gears
 Central drive.....Spiral bevel gear single-stage reduction
 Steering clutch.....Wet multi-plate spring-pressed type
 Control mode.....Manual, hydraulically assisted disengagement mode
 Steering brake.....Wet, floating band type
 Control mode.....Foot mechanical control mode
 Final drive.....Single-stage straight gear reduction
 and splash lubrication



UNDERCARRIAGE SYSTEM

Type.....Rigid suspended structure
 Number of carrier rollers (each side).....1
 Number of track rollers (each side).....6
 Number of guide wheels (each side).....1

Crawler type.....Single grouser combined type
 Number of crawler shoes (each side).....41
 Width of crawler shoe.....460mm
 Crawler pitch.....154.1mm
 Grouser height.....47mm
 Crawler tensioner.....Lubricating grease tensioned and spring absorption



Power output

Position.....In the middle at the rear of the rear axle case
 Speed.....2, 350r/min
 Rotation direction.....Counter-clockwise (observed from the tail of the body)



HYDRAULIC SYSTEM

Variable piston pump.....2
 Wheel motor reductor.....2
 System pressure(MPa).....41
 Brake pressure(MPa).....1.8
 WORKING DEVICE HYDRAULIC
 Working system pressure(MPa).....21
 PPC Pilot valve pressure(MPa).....3.5

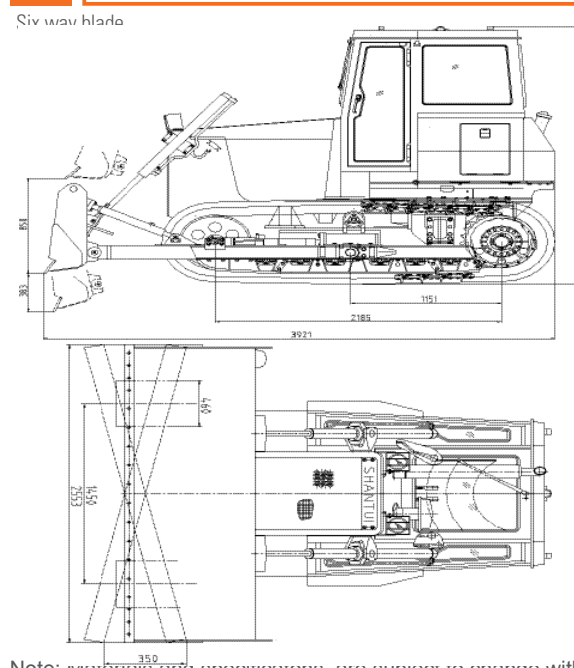


BLADE

Blade type.....Six way blade
 Blade width.....2680mm
 Blade height.....950mm
 Maximum lifting height of blade.....750mm
 Maximum digging depth of blade.....383mm
 Maximum tilting height of blade.....515mm
 Blade capacity.....2.08m³



OVERALL DIMENSIONS



Note: materials and specifications are subject to change without notice.